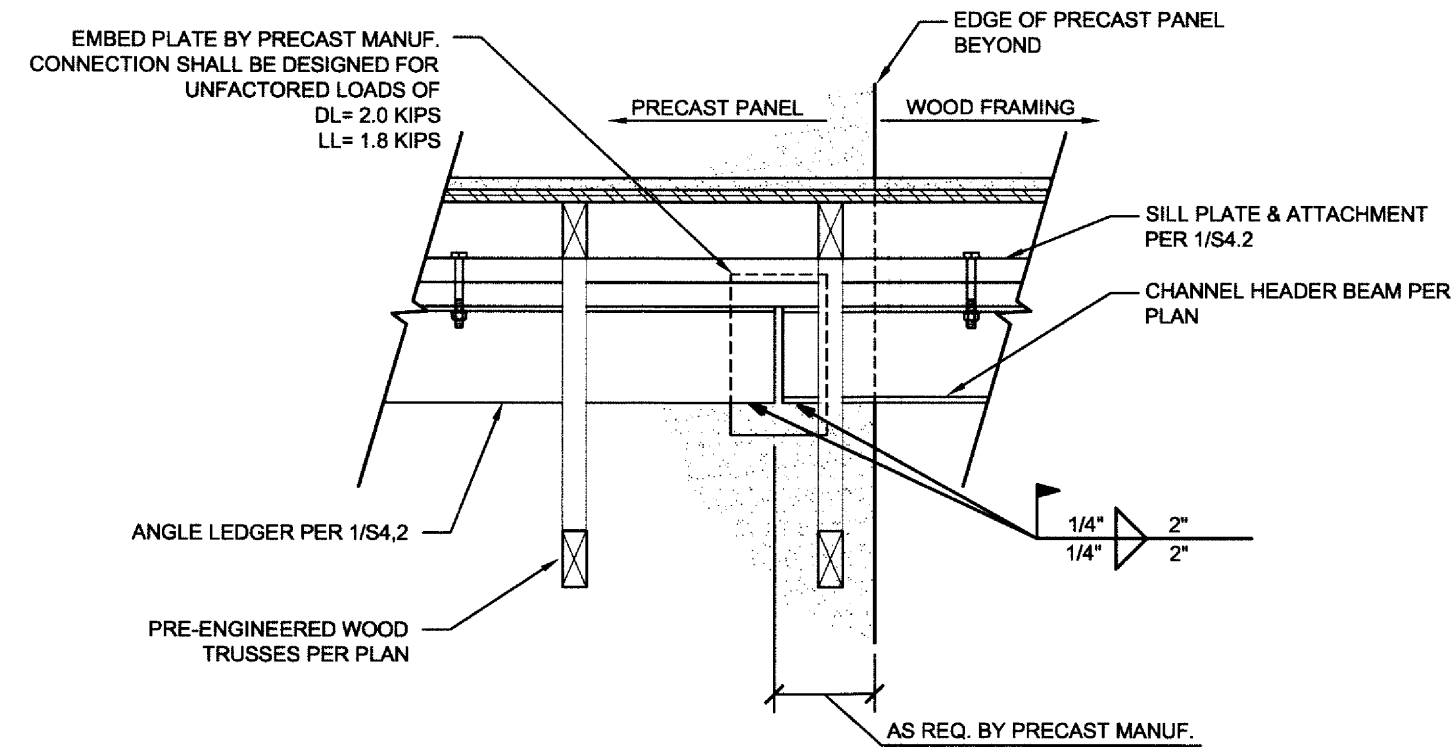
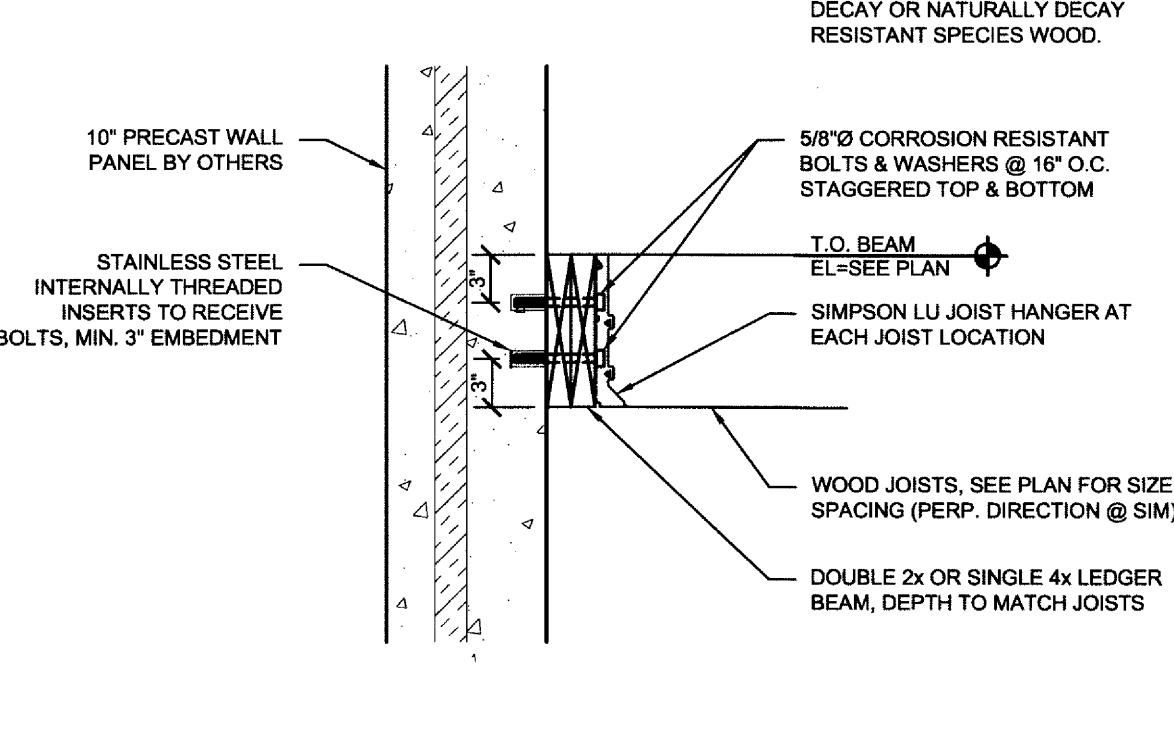


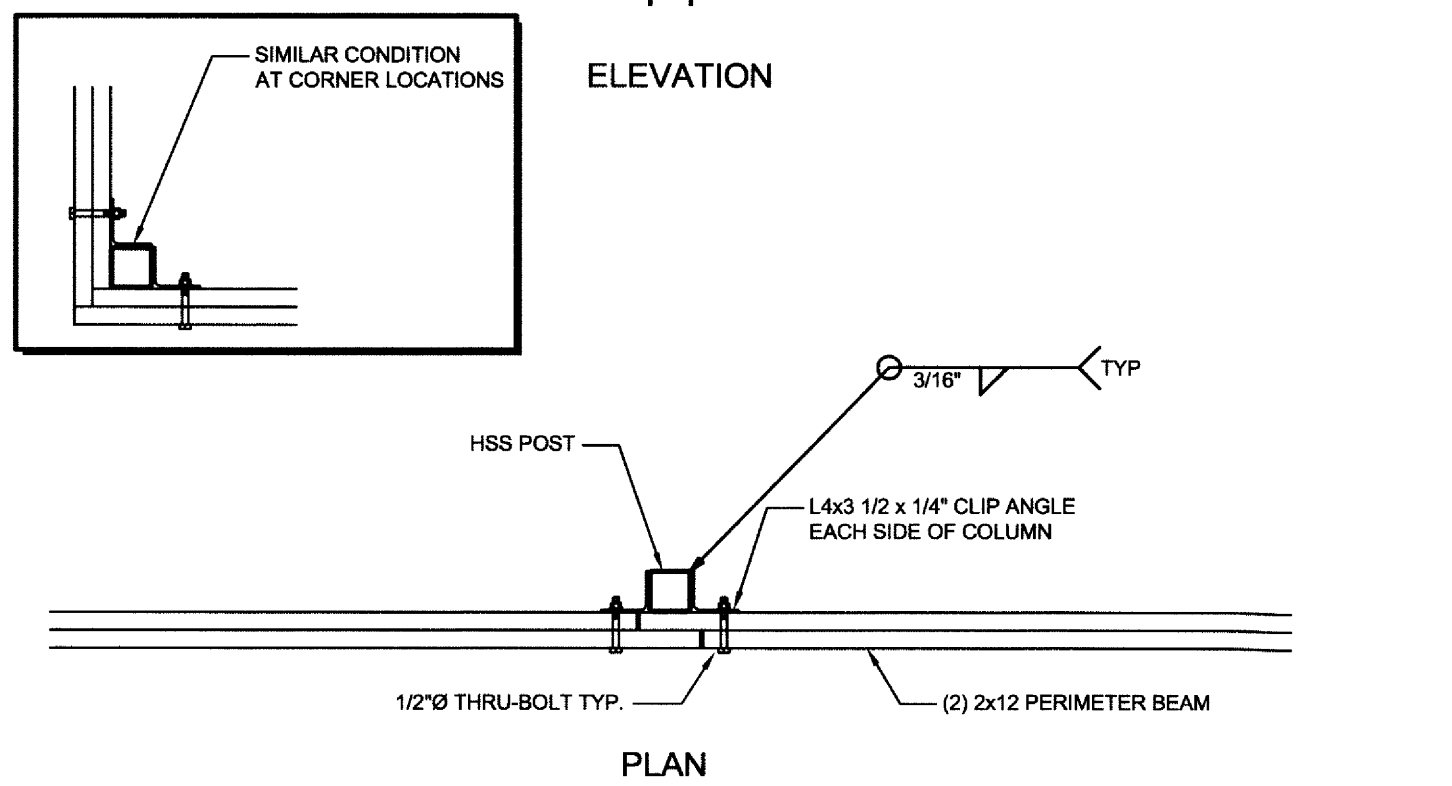
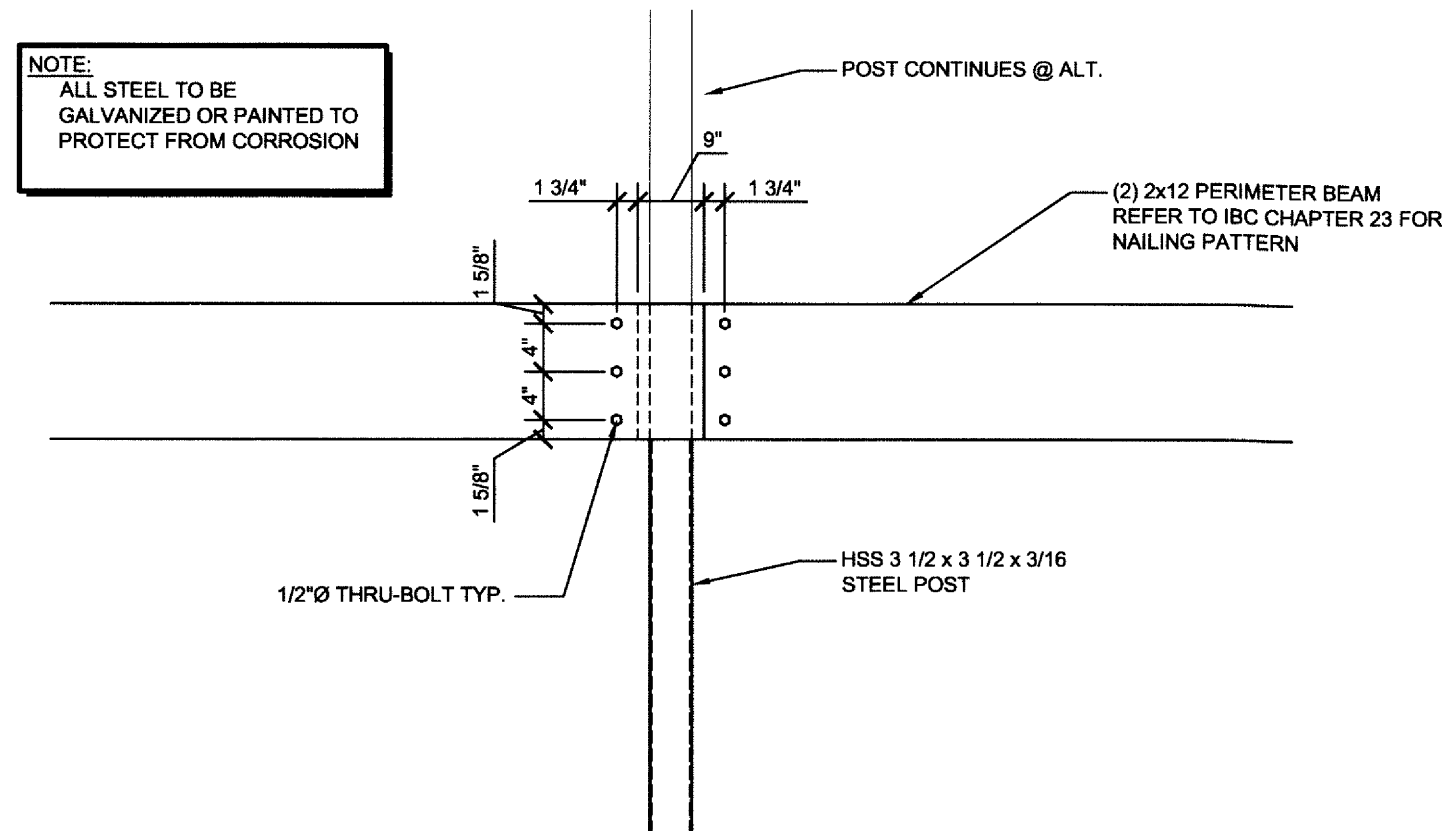
**1 TRUSS BEARING @ WALL**  
SCALE: 1/2"=1'-0"



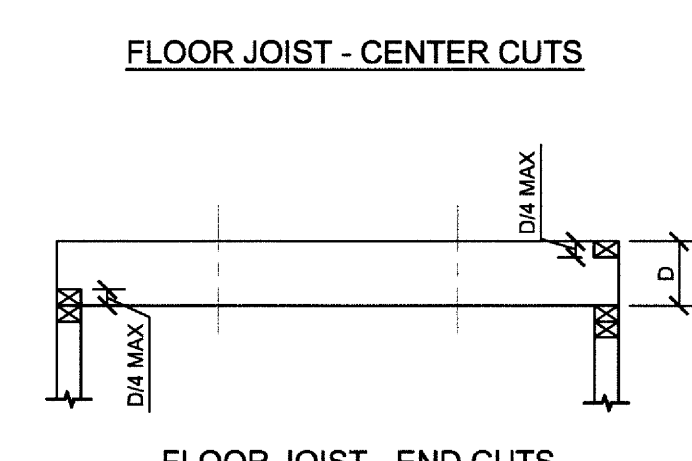
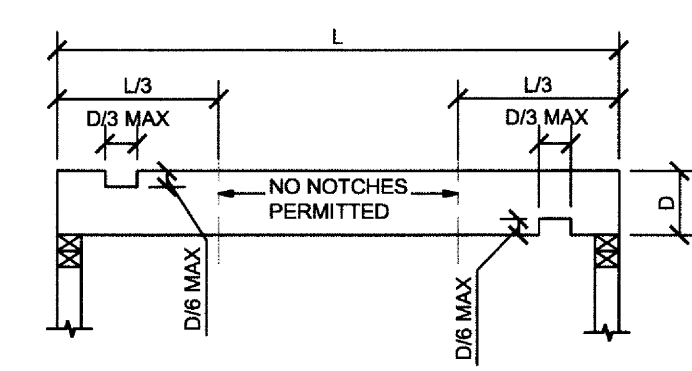
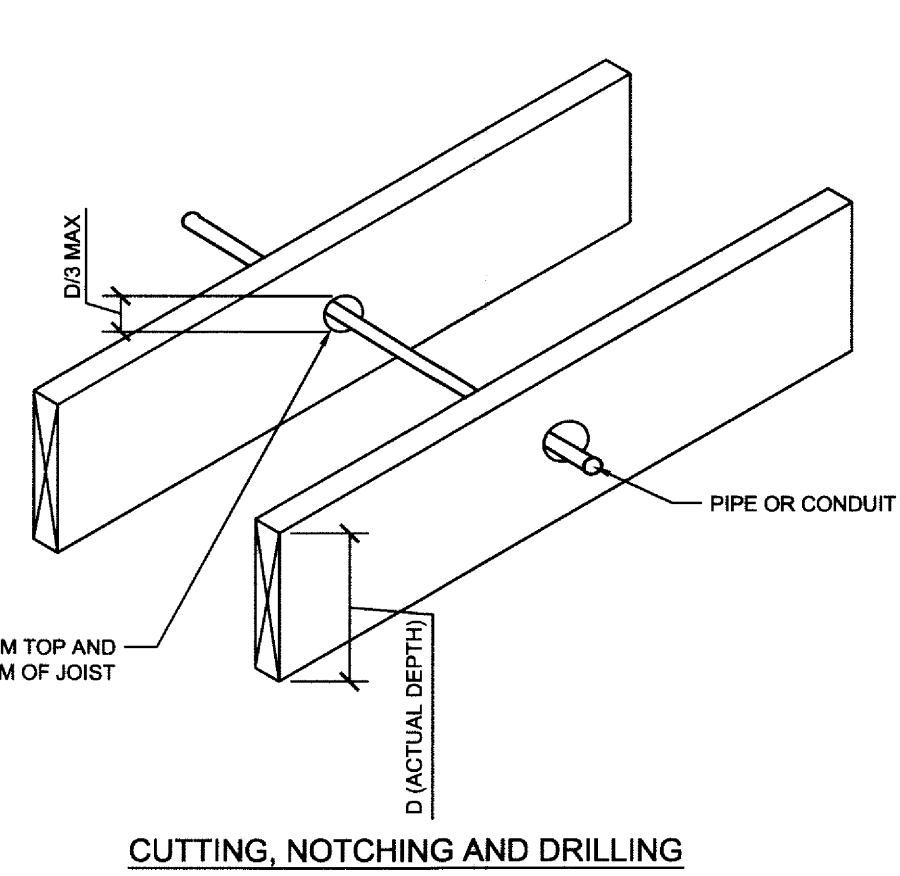
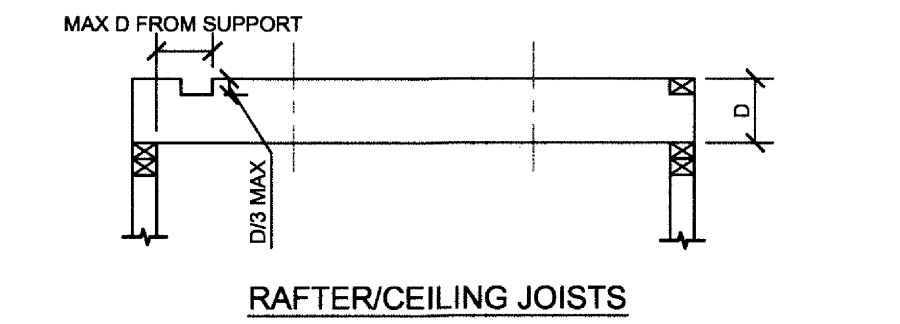
**2 CHANNEL HEADER CONNECTION TO PRECAST**  
SCALE: 1/2"=1'-0"



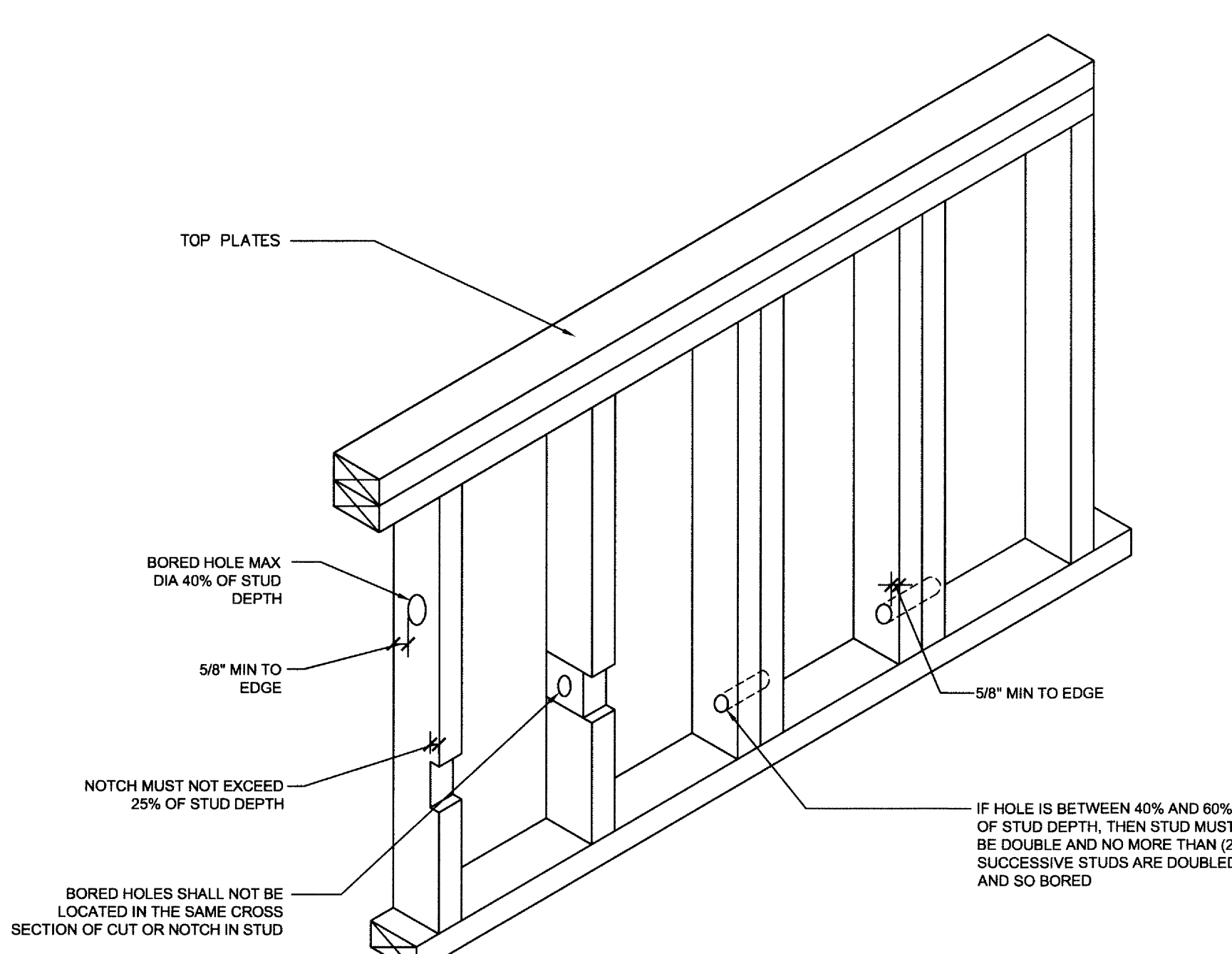
**3 LEDGER TO PRECAST CONNECTION**  
SCALE: 1/2"=1'-0"



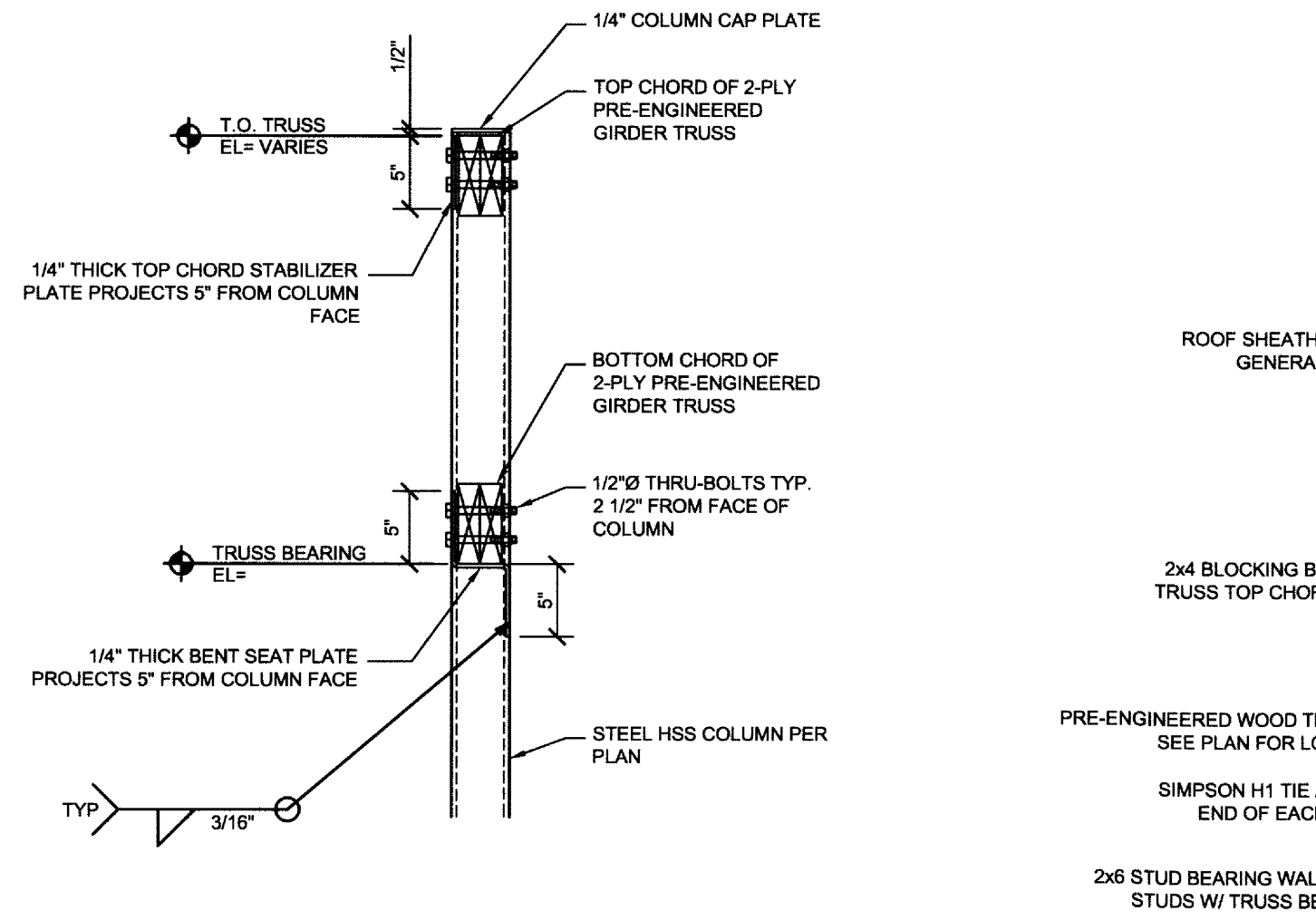
**4 PERIMETER BEAM TO POST CONN.**  
SCALE: 3/4"=1'-0"



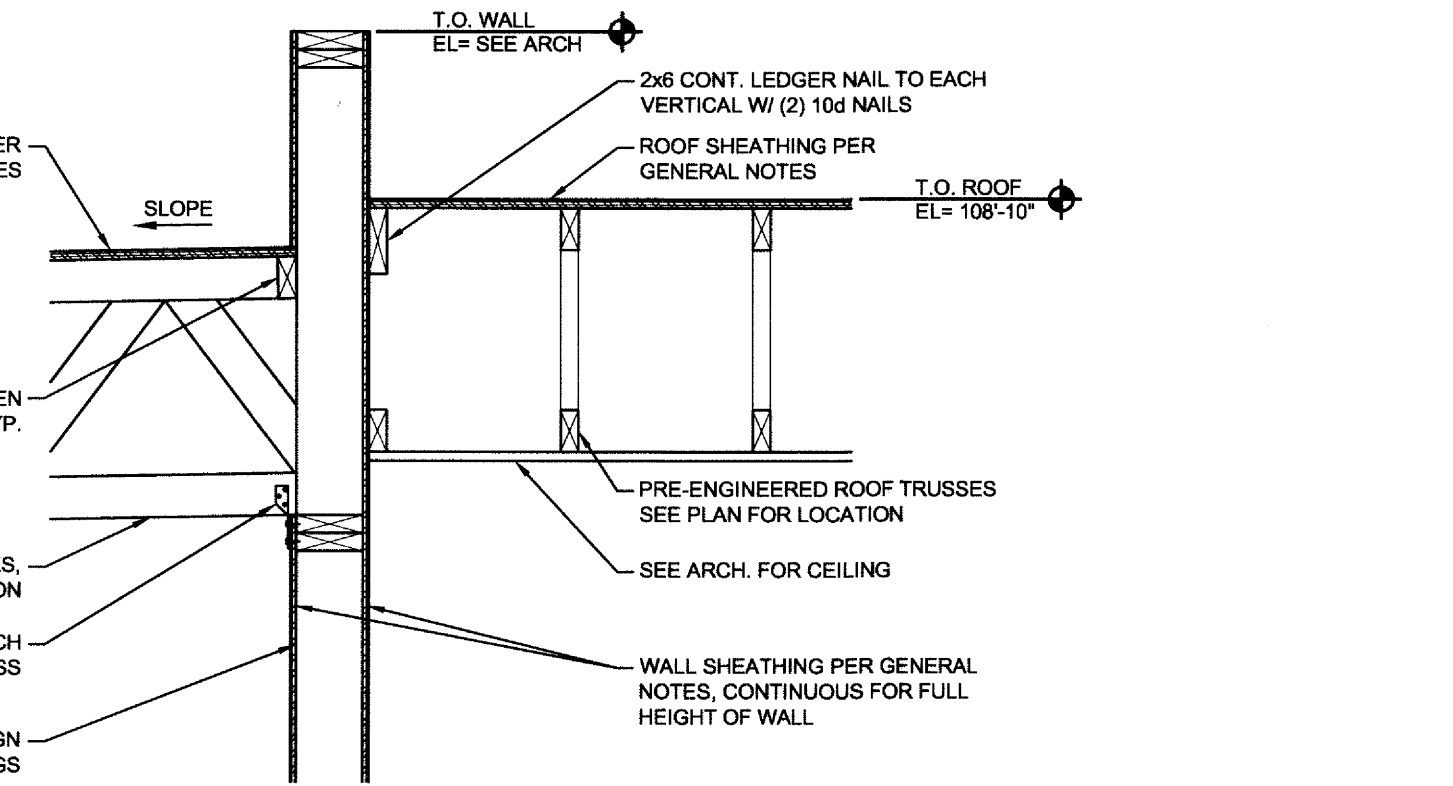
**5 NOTCHING & BORED LIMITATIONS FOR FRAMING**  
SCALE: 1"=1'-0"



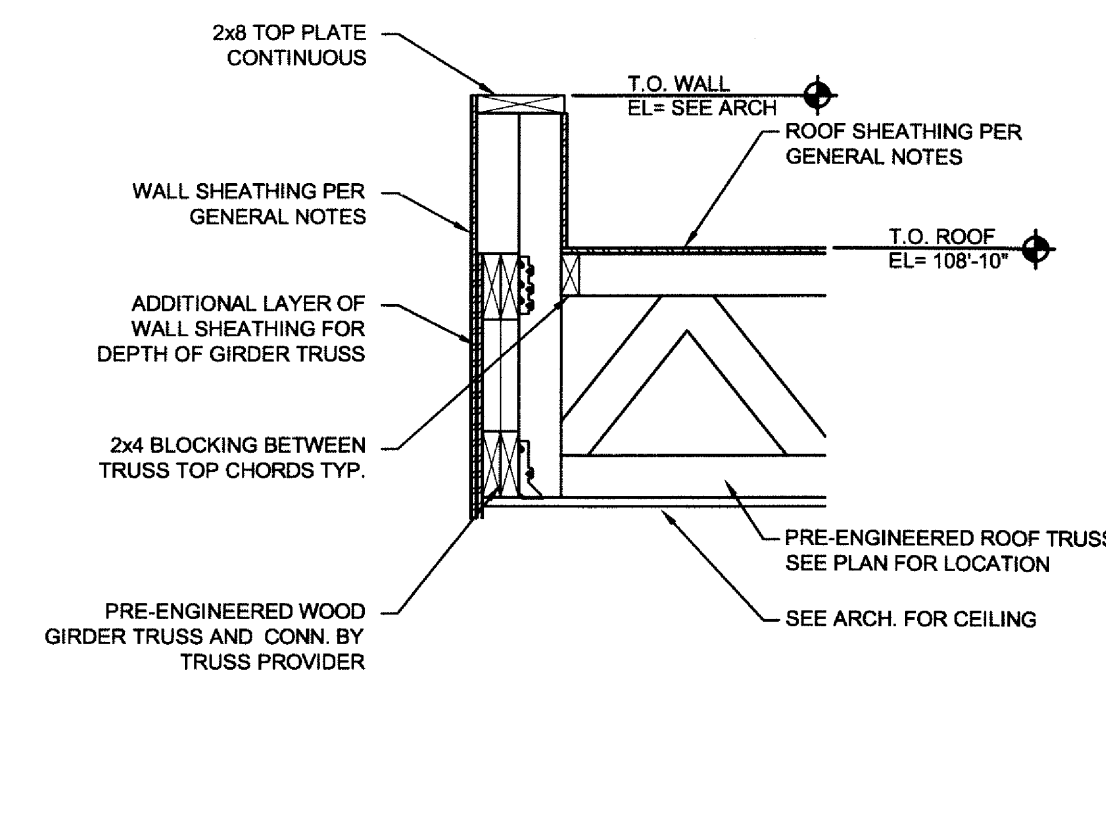
**6 NOTCHING & BORED LIMITATIONS FOR EXTERIOR WALLS AND BEARING WALLS**  
SCALE: 1"=1'-0"



**7 GIRDER TRUSS CONN. TO COLUMN**  
SCALE: 1"=1'-0"



**8 BEARING WALL FRAMING DETAIL**  
SCALE: 3/4"=1'-0"



**9 GIRDER TRUSS FRAMING DETAIL**  
SCALE: 3/4"=1'-0"

**GRA GREAT RIVER ASSOCIATES**  
205 Park Central East  
Springfield, MO 65805  
Phone: (417) 867-7591  
www.gra-arc.com

**ARCHITECT**  
**FORM**

Great River Associates, Inc.  
Missouri State Certificate of Authority #200156885

**CHILES RESEIDENCE**  
**WEST FARM ROAD 124**  
**BOIS D'ARC, MO 65612**

Copyright © 2011 by Great River Associates, Inc.

SPENCER N. JONES  
REGISTERED PROFESSIONAL ENGINEER  
NUMBER E-20776

Checked by: JCO  
Drawn by: JS  
Job Number: 10-2860  
Scale: SEE SHEET  
Issue Date: 08.04.2011  
Sheet Title: FRAMING DETAILS

**S4.2**