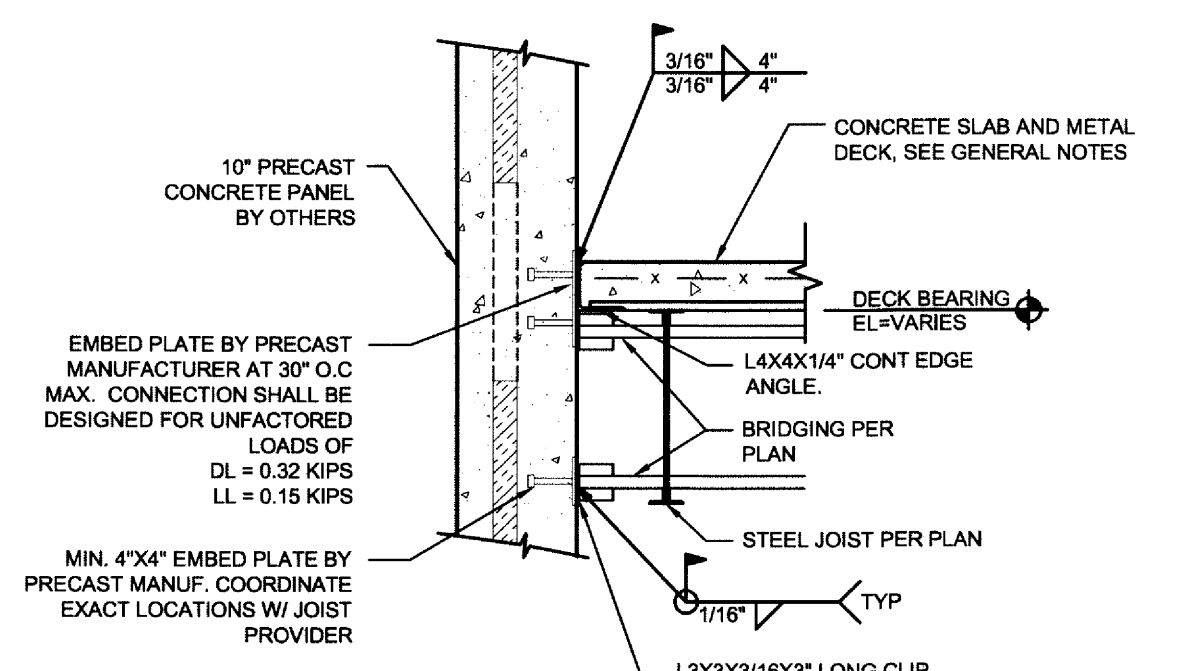
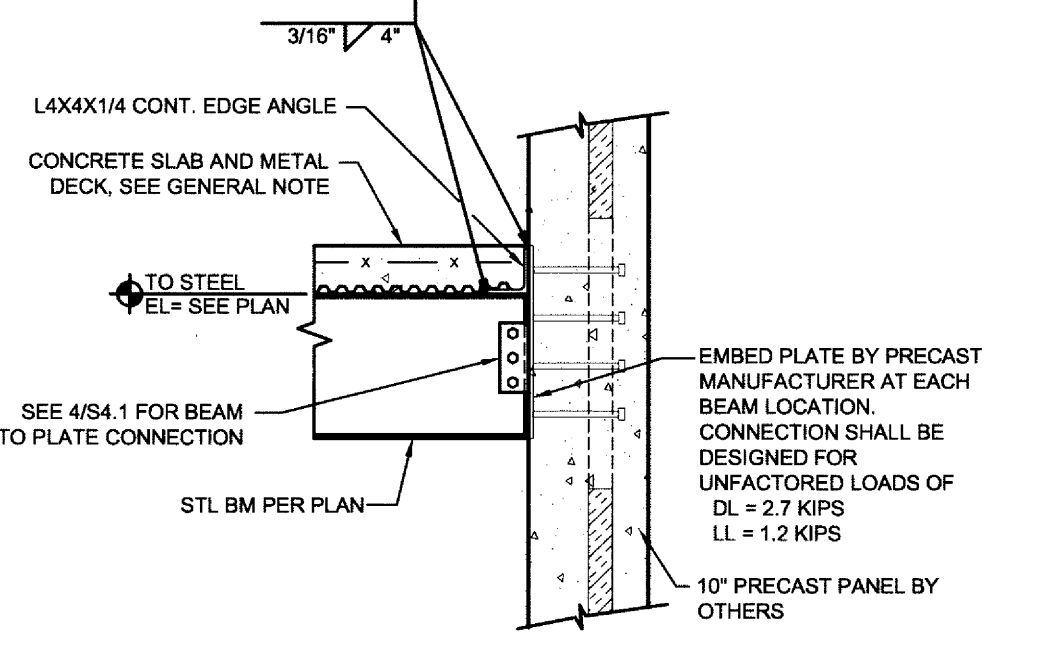


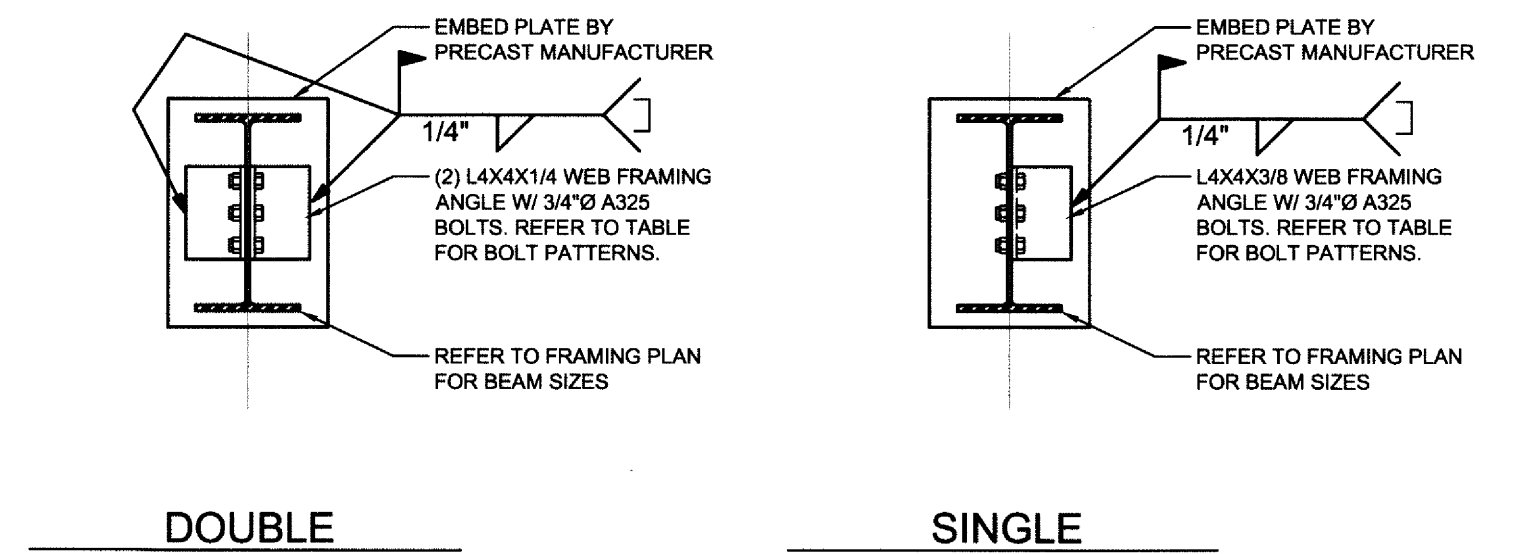
1 JOIST TO PRECAST DETAIL
SCALE: 3/4"=1'-0"



2 EDGE ANGLE TO PRECAST DETAIL
SCALE: 3/4"=1'-0"



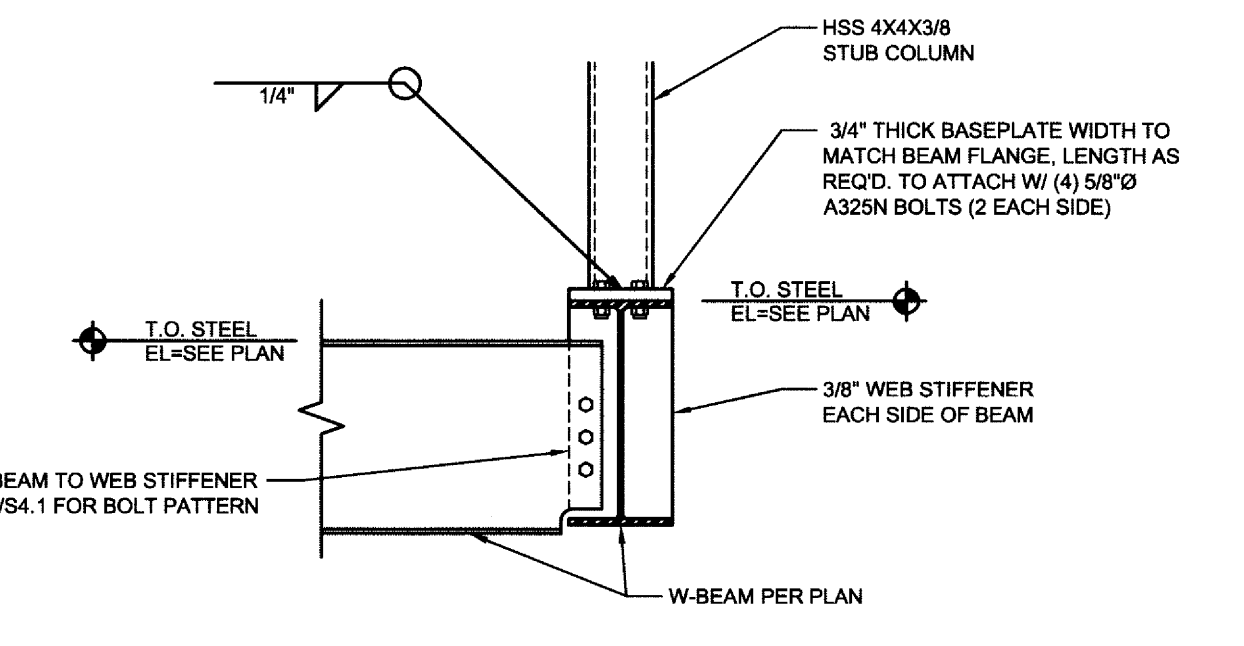
3 W-BEAM TO PRECAST DETAIL
SCALE: 3/4"=1'-0"



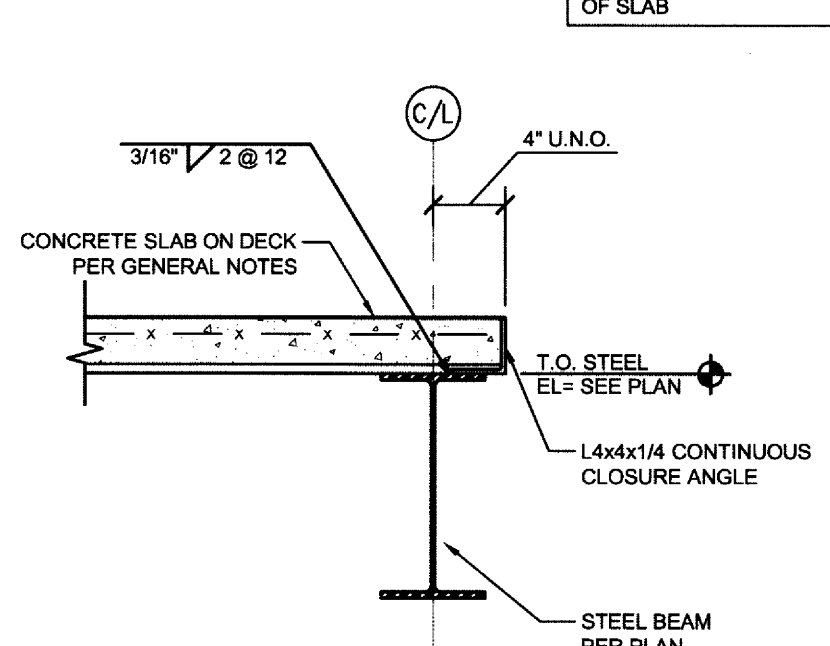
4 TYPICAL W-BEAM TO EMBED PLATE CONNECTION
SCALE: 1"=1'-0"

TYPICAL BOLT PATTERN:
USE 3/4"Ø - A325N BOLTS AS FOLLOWS
W30, W33, W36 - 1 ROW OF 9
W27 & W24 BEAMS - 1 ROW OF 7
W21 BEAMS - 1 ROW OF 6
W18 & W16 BEAMS - 1 ROW OF 4
W12 & W14 BEAMS - 1 ROW OF 3
W10 & SMALLER - 1 ROW OF 2

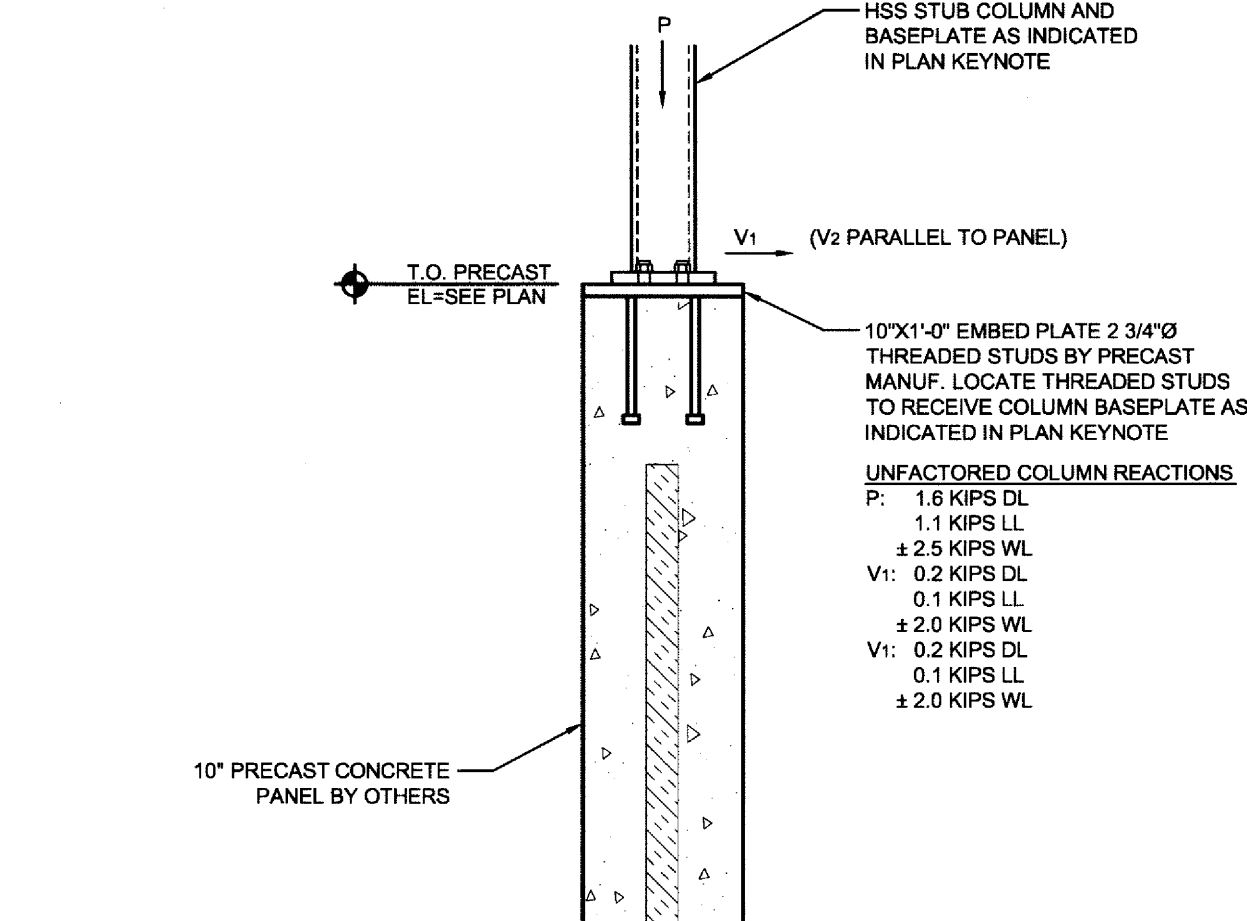
NOTE: USE DOUBLE CLIP ANGLE CONNECTION WHERE POSSIBLE.



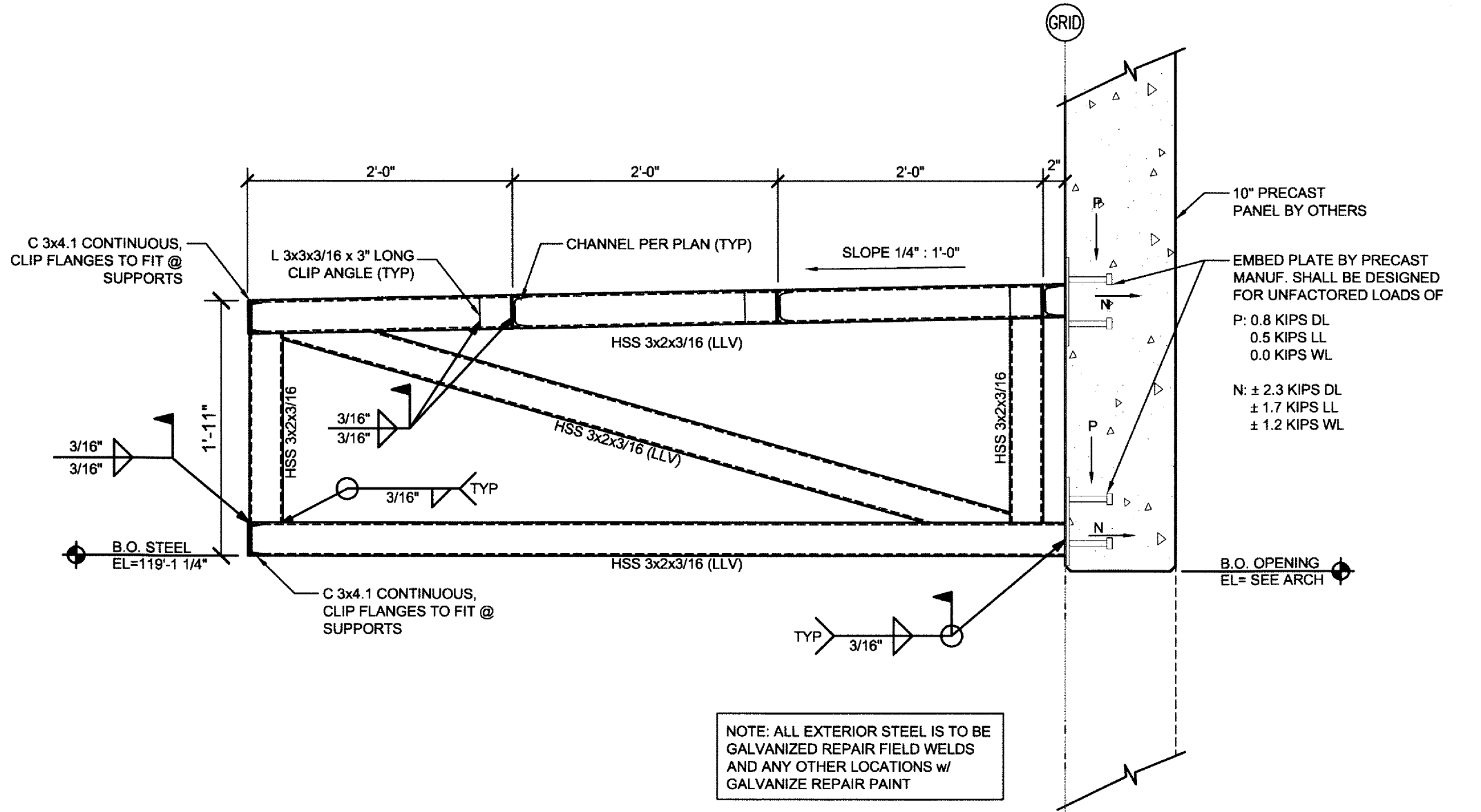
5 BEAM TO BEAM CONN. WITH STUB COLUMN
SCALE: 1"=1'-0"



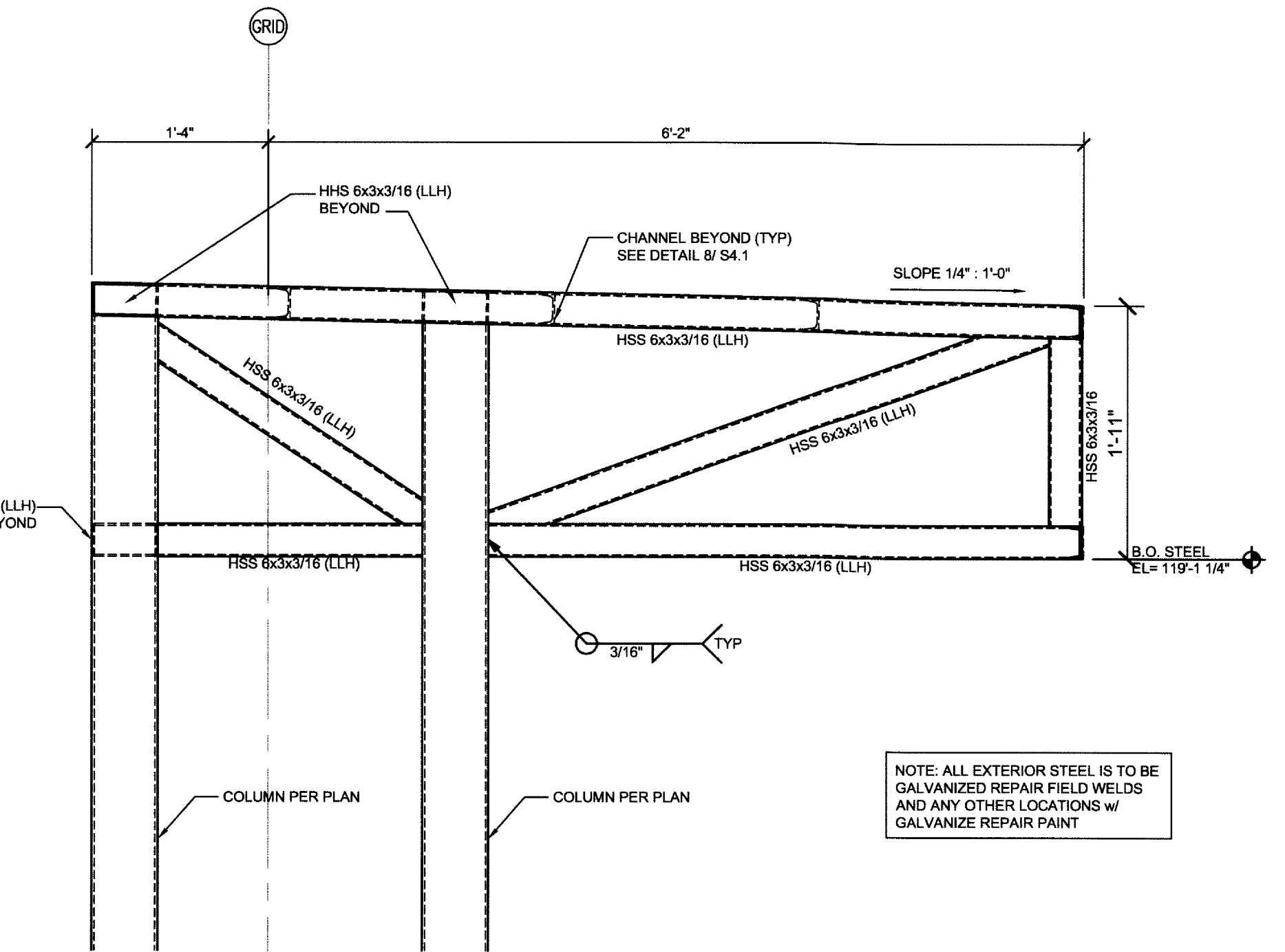
6 TYPICAL SLAB EDGE
SCALE: 1"=1'-0"



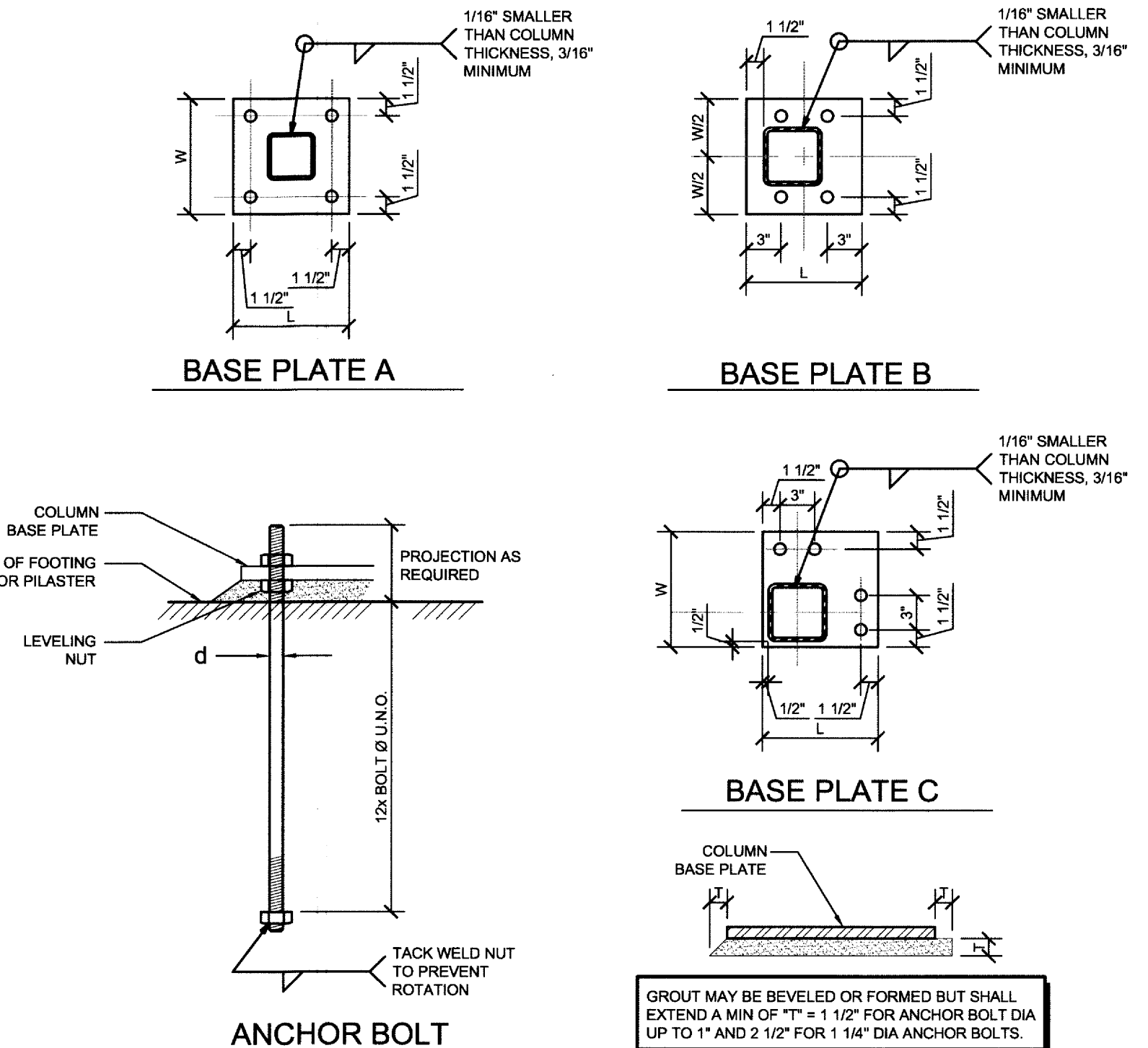
7 SLAB COLUMN BEARING ON PRECAST
SCALE: 1"=1'-0"



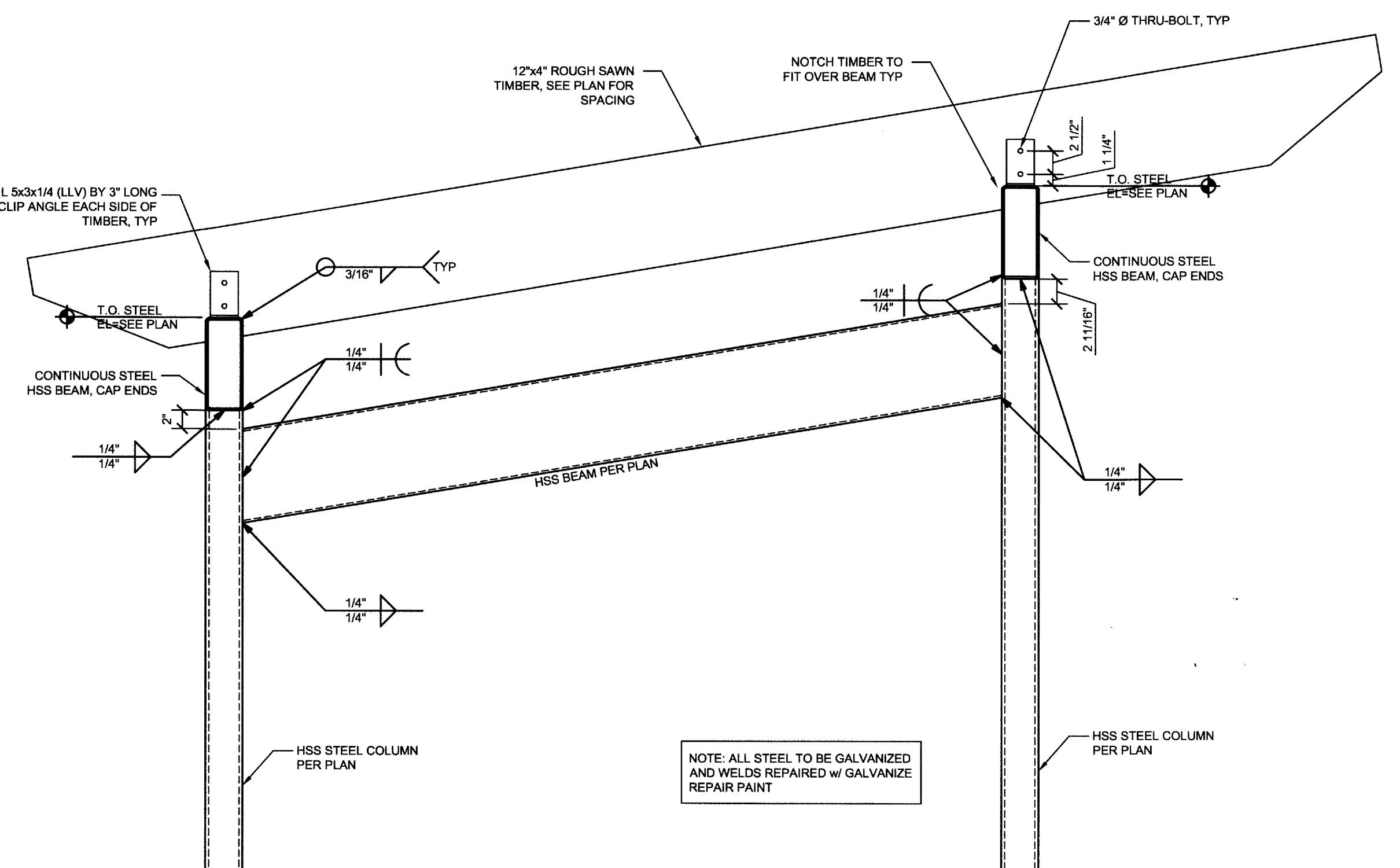
8 SECTION AT OVERHANG
SCALE: 1"=3/4"



9 END BRACE ELEVATION AT OVERHANG
SCALE: 1"=3/4"



10 BASEPLATE AND ANCHOR BOLT DIAGRAMS
SCALE: 1"=1'-0"



11 PENTHOUSE FRAME DETAIL
SCALE: 1"=3/4"