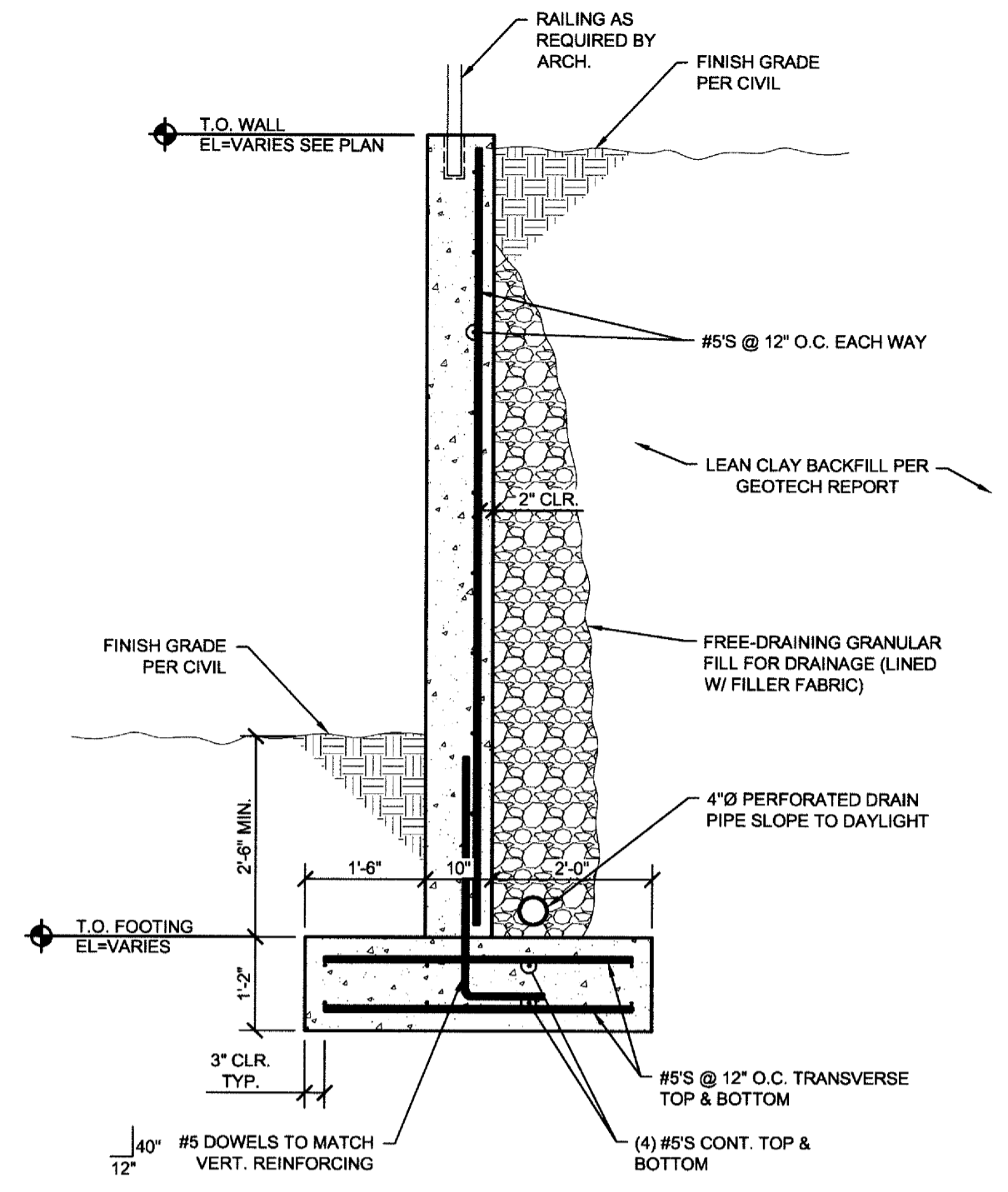
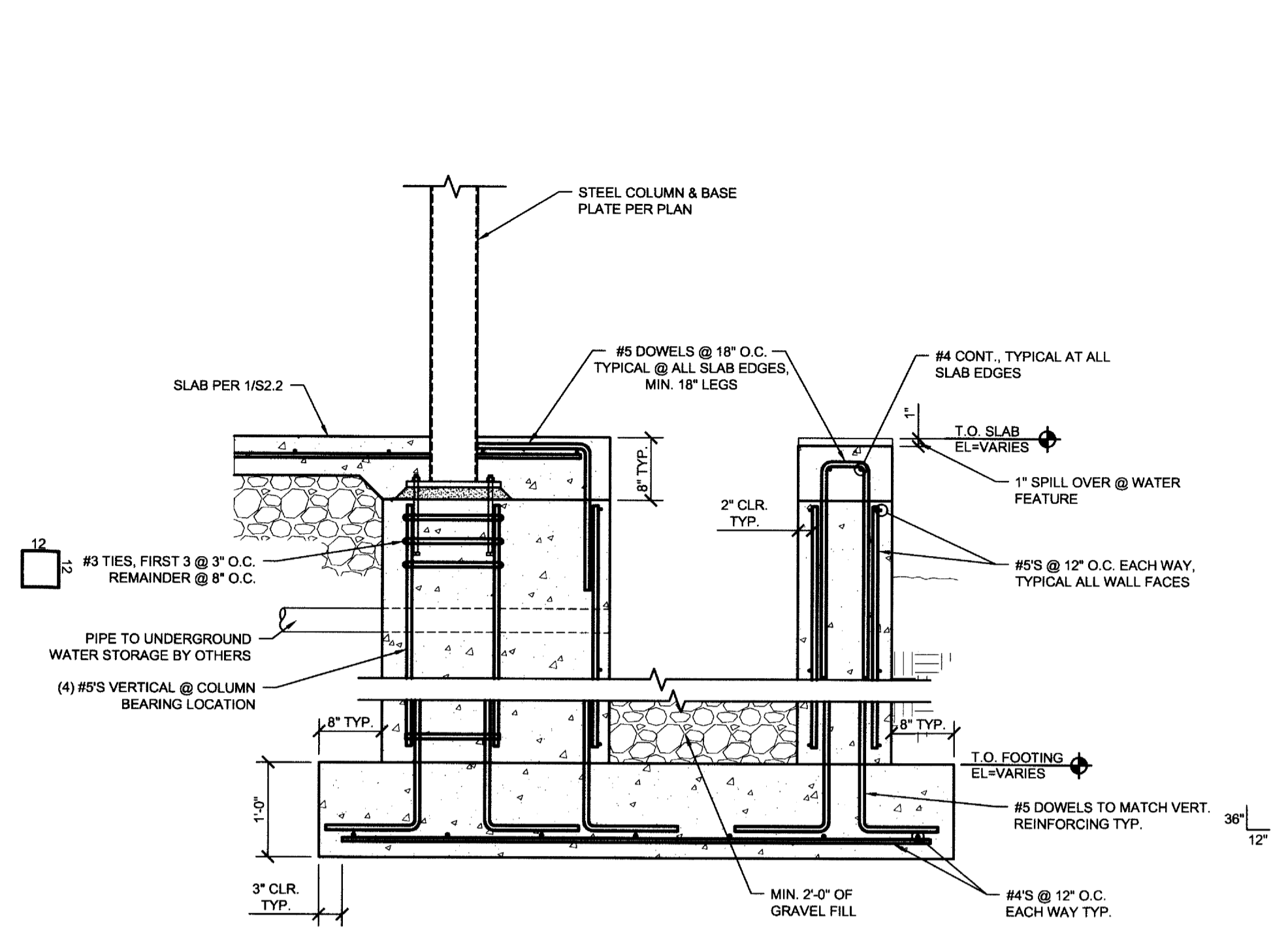


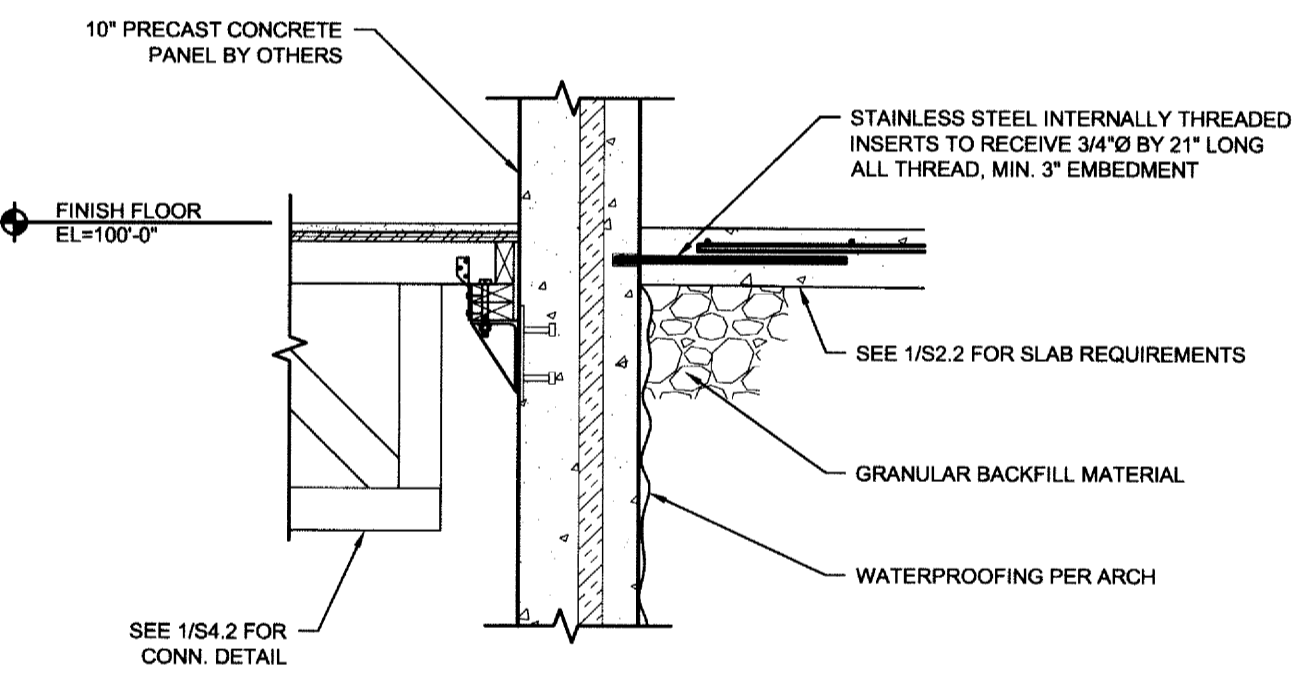
1 SECTION AT ENTRY
SCALE: 3/4"=1'-0"



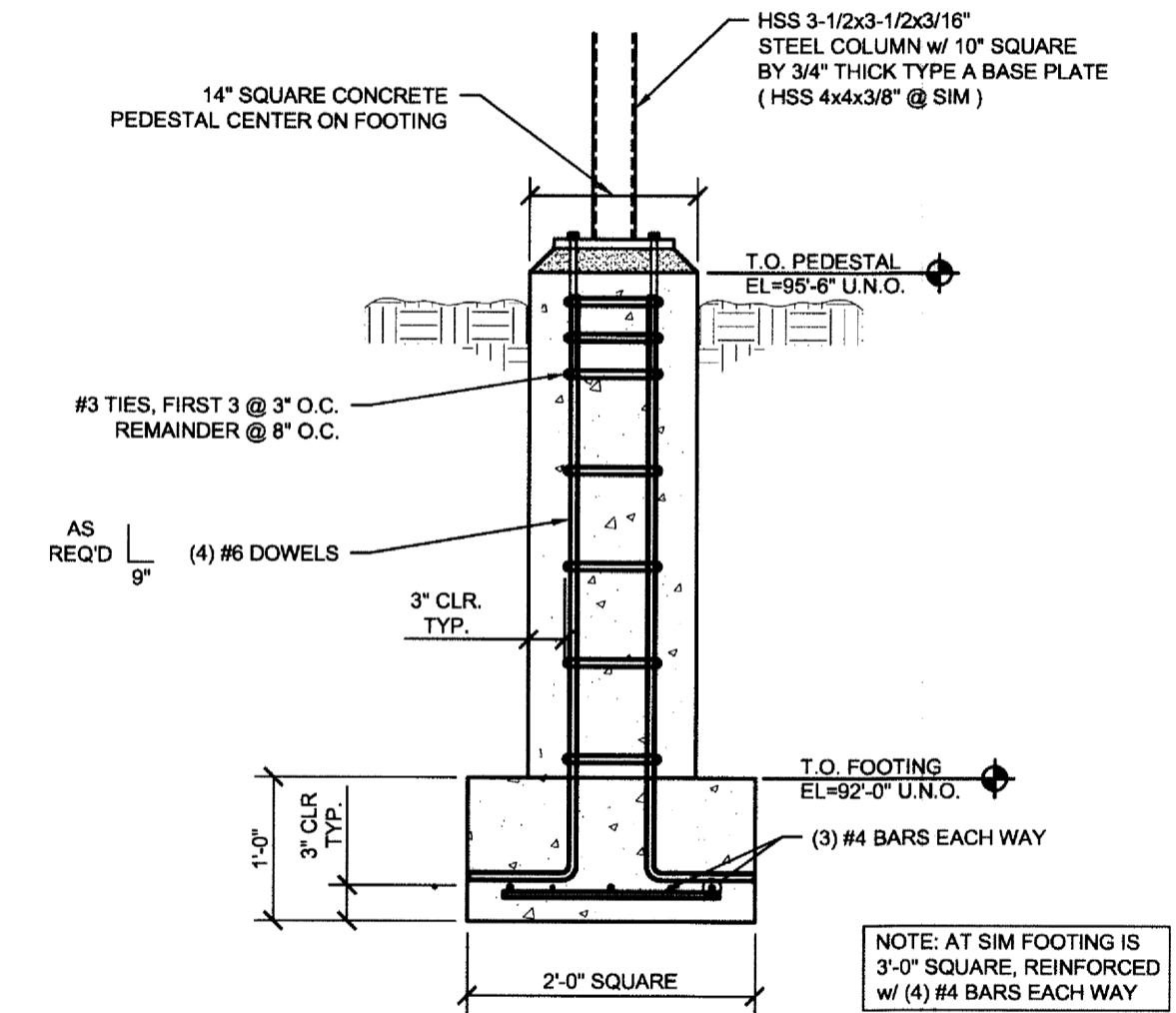
2 CANTILEVERED RETAINING WALL
SCALE: 1/2"=1'-0"



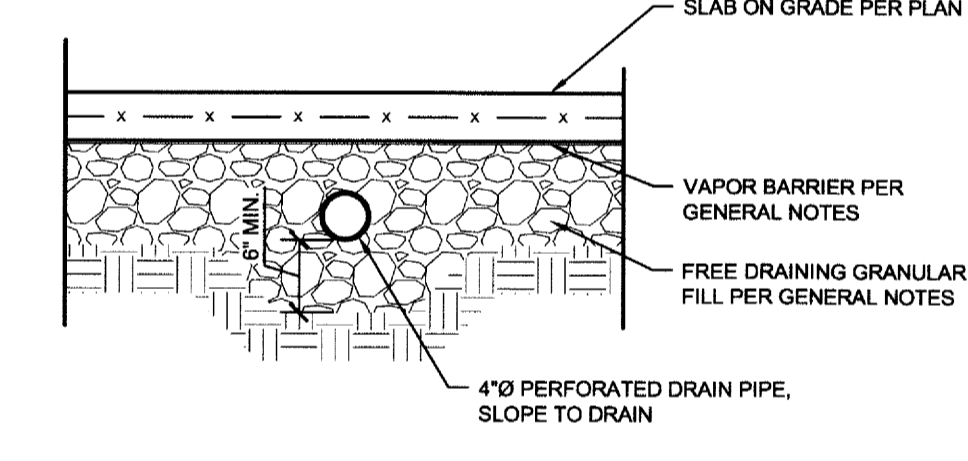
3 SECTION AT WATER FEATURE
SCALE: 3/4"=1'-0"



4 ENTRY SLAB CONN. TO PRECAST
SCALE: 3/4"=1'-0"



5 TYPICAL DECK FOUNDATION DETAIL
SCALE: 3/4"=1'-0"



6 UNDER SLAB DRAINAGE DETAIL
SCALE: 3/4"=1'-0"

